

**EX3**  
Modular by design



Espresso revolution



*Crafted for Every Taste*

# EX3

Modular by design

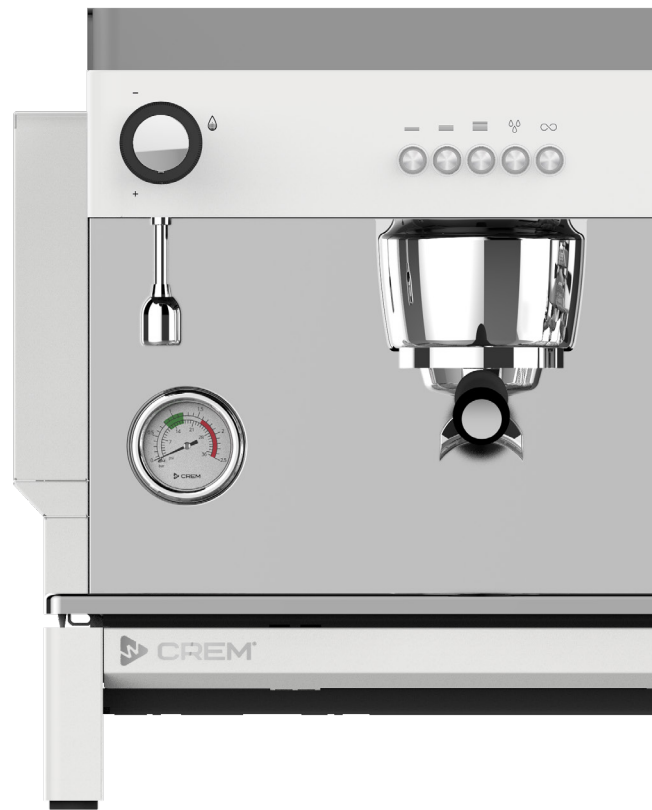
## Espresso revolution

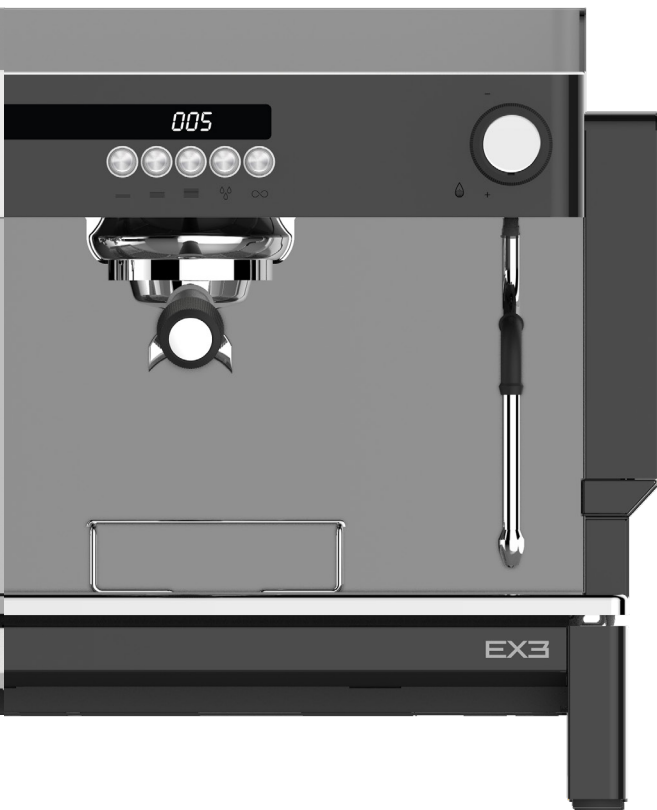
The brand new Crem espresso machine - EX3 - has been thoroughly and carefully designed. Not only from a technical point of view, but also taking into account a 360 project approach, which has eventually lead us to this exciting new concept line within the Crem espresso portfolio.

The EX3 is an attractive and extremely versatile professional espresso machine. Featuring a smart design concept, it can be easily customized, and manufactured, through the combination of a wide range of different options, both external (number of groups, colours and finishings, lighting, etc.) and technical. Thus, the EX3 is aimed to suit any kind of business with an espresso demand, whether an independent café or a national coffee shop chain.

Ergonomics and user experience have been also key on this project. Following Crem's own standards of performance, the EX3 features innovative, highly tested technologies in order to deliver a superior in cup quality.

*The EX3 has been awarded by the IF DESIGN AWARDS 2020, the Red Dot Industrial Design Awards 2020, the Gold Delta Awards 2020 and the IDA 2021.*



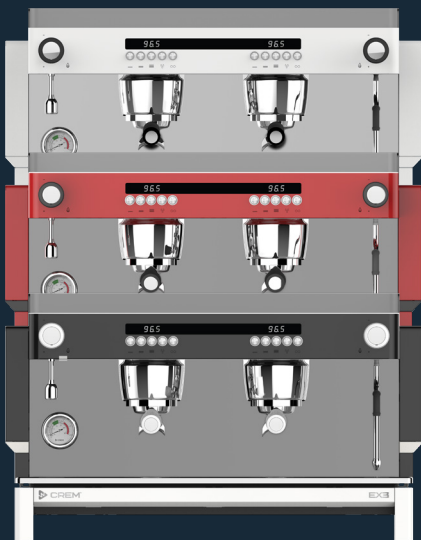


## In short

- Optimized and stylish design line
- Wide range of external and technical customizable options
- Crem highly tested hydraulics, including:
  - 1/2 rotatory knobs
  - Cool touch wands
  - Improved drainage solution
- Ease-of-servicing

# Features

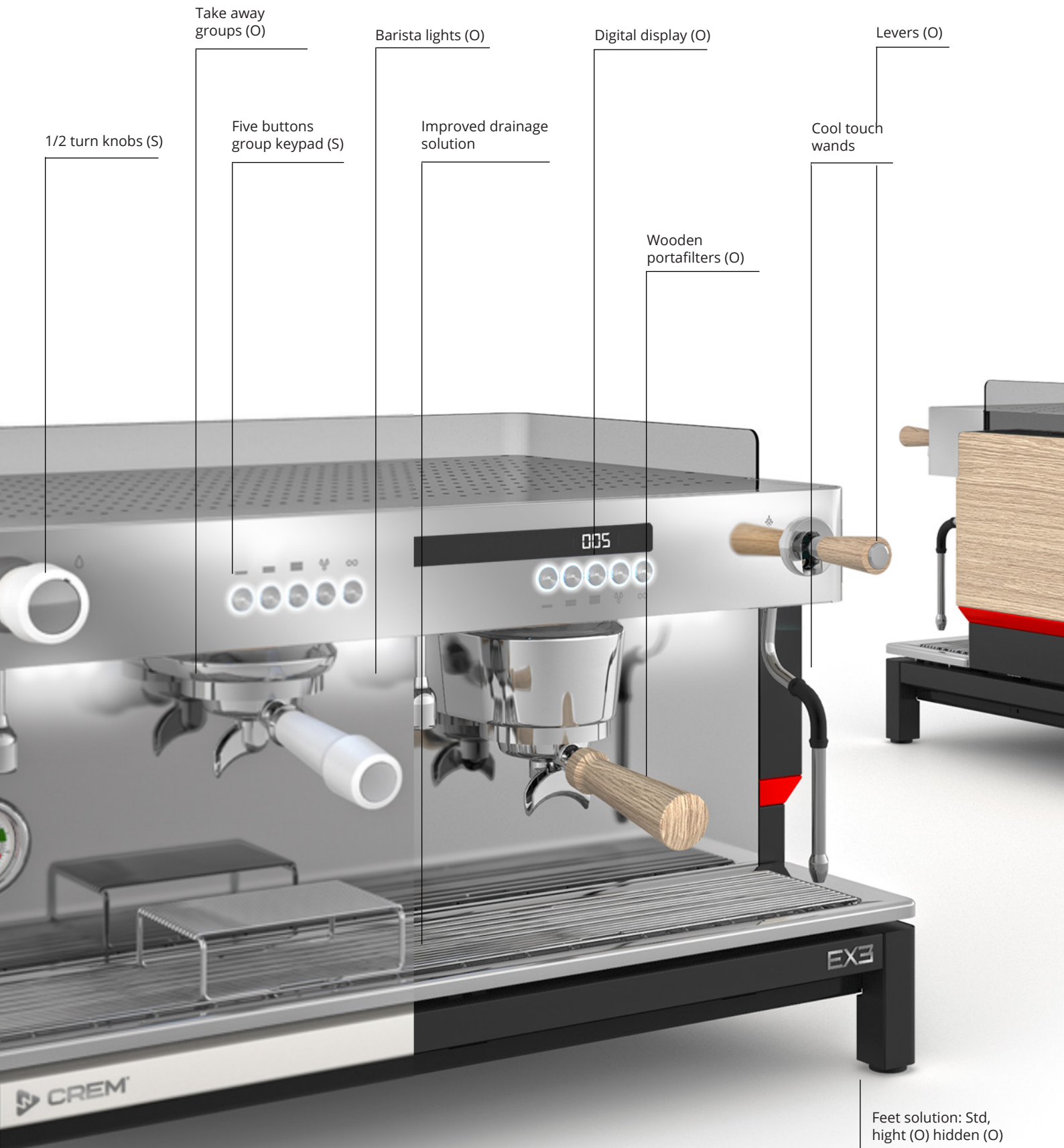
- MODULARITY. Thanks to its modular design, the EX3 is more than flexible and can meet the bespoke needs of a business. From the compact Mini 1group version to the high capacity 3 group.
- CONTEMPORARY. Stylized design lines for a new concept of espresso machines.
- ERGONOMICS. Every element and detail has been designed to take into account usability and the barista experience.
- COMPACT. The EX3 features improved proportions and balanced dimensions, optimizing every component to make it both attractive for baristas and accessible for service tasks.
- CUSTOMIZABLE. Available in a wide range of options and extras:
  - Keypad: Control or Display (PID controlled)
  - Group height: Standard or Take Away (High group)
  - Pressure gauge: Single or Double.
  - Steam / Levers and HW controls: All available in black, white or wooden (oak, walnut) finishings. Extra wand (except Mini 1GR)
  - Colours: A wide range of colour and combinations available.
  - Body covers: Oak, walnut, brushed aluminium
  - Barista lights.
  - High feet / Hidden feet.



Body covers (O)



Double pressure gauge (O)



1/2 turn knobs (S)

Take away groups (O)

Five buttons group keypad (S)

Barista lights (O)

Improved drainage solution

Digital display (O)

Wooden portafilters (O)

Cool touch wands

Levers (O)

Feet solution: Std, high (O) hidden (O)



# Standard versions



EX3 MINI 1GR CONTROL



EX3 MINI 2GR CONTROL



EX3 2GR CONTROL



EX3 3GR DISPLAY

## Standard Features

- ½ turn rotary taps
- Cool touch steam wands
- Pressure switch control
- PID controlled (only display versions)
- Built-in rotary pump
- Pre infusion chamber group head
- Volumetric dosing (5 keypad button)
- Group flush button
- 60 mm single pressure gauge
- Group auto cleaning cycle
- Standard colours: White, black, red

## Supplied Accessories

- 55-cm inlet hose
- Blindfilter
- Drain tube (150 cm)
- Power cable
- Drinks grids (TA versions only)

# Options and extras

Crafted For Every Taste

Keypad  
Control or Display  
(PID controlled)



Group height



Pressure gauge



Steam / HW  
Controls & Levers



Colours



Body covers



(Available only for top panel and feet+trim.)

Barista lights



Hidden feet



Top front

Main Panel

Chamfer

Feet+trim



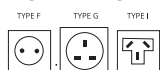
More options and extras coming soon.  
Please check **EX3 PRODUCT CONFIGURATOR** to preview available options.  
Some of the configurations shown in this brochure may not be available

## Technical specifications



	EX3 3GR	EX3 2GR	EX3 MINI 2GR	EX3 MINI 1GR
<b>Height, width, depth</b>	465, 990, 575 mm 18.3, 39, 22.6"	465, 770, 575 mm 18.3, 30.3, 22.6"	465, 550, 575 mm 18.3, 21.6, 22.6"	465, 550, 575 mm 18.3, 21.6, 22.6"
<b>Weight</b>	74 Kg   163 lb	62 Kg   136.7 lb	50 Kg   110.2 lb	48 Kg   105.8 lb
<b>Power ratings</b> (Power ratings+OPTIONS)	380-415V 2N~ 4350W 50-60Hz (O): 380-415V 3N~ 6350W 50-60 Hz (O) 220-240V~ 4350W 50-60Hz	220-240V~ 3350W 50-60Hz (O) 3Ph: 380-415V 3N~ 4800W 50-60 Hz	220-240V~ 2800W 50-60Hz (O) 220-240V~ 2300W 50-60Hz	220-240V~ 2800W 50-60Hz (O) 220-240V~ 2300W 50-60Hz
<b>Boiler(s) capacity</b>	17.5 l	11.5 l	6 l	6 l
<b>Operation pressure</b>	0.8 to 1.2 bar	0.8 to 1.2 bar	0.8 to 1.2 bar	0.8 to 1.2 bar
<b>Pressure switch control</b>	✓	✓	✓	✓
<b>PID control</b>	(O) 220-240V~ 4350W 50-60Hz	○	○	○
<b>Water connection</b>	3/8" Internal thread	3/8" Internal thread	3/8" Internal thread	3/8" Internal thread
<b>Height group</b>	STD / TA (O)	STD / TA (O)	STD / TA (O)	STD / TA (O)
<b>Volumetric dosing (5 keypad button)</b>		✓	✓	✓
<b>Volumetric dosing + group display</b>	✓	○	○	○
<b>Group flush button</b>	✓	✓	✓	✓
<b>Steam wands + HW tap</b>	2+1	1+1	1+1	1+1
<b>Extra steam wand</b>	✓	✓(1)	✓(1)	-
<b>Auto hot tap water dose</b>	○	○	○	-
<b>½ turn rotary taps</b>	✓	✓	✓	✓
<b>Lever taps</b>	○	○	○	-
<b>Cool touch steam wands</b>	✓	✓	✓	✓
<b>Built-in rotary pump</b>	✓	✓	✓	✓
<b>Pre infusion chamber group head</b>	✓	✓	✓	✓
<b>Electronic pre infusion</b>	✓	✓	✓	✓
<b>Jet hole</b>	STD group height: 3.5 / 2.5 mm (O) TA group: 2.5 mm	STD group height: 3.5 / 2.5 mm (O) TA group: 2.5 mm	STD group height: 3.5 / 2.5 mm (O) TA group: 2.5 mm	STD group height: 3.5 / 2.5 mm (O) TA group: 2.5 mm
<b>Pressure gauge</b>	60 mm single / double (O)	60 mm single / double (O)	60 mm single / double (O)	60 mm single / double (O)
<b>Hidden feet</b>	○ White, black, stainless steel (only available for STD height group versions)	○ White, black, stainless steel (only available for STD height group versions)	○ White, black, stainless steel (only available for STD height group versions)	-
<b>Colours</b>	STD: White, black, red	STD: White, black, red	STD: White, black, red	STD: White, black, red
<b>Knob /levers finishing</b>	STD: white, black O: Oak, Walnut	STD: white, black O: Oak, Walnut	STD: white, black O: Oak, Walnut	STD: White, Black O: Oak, Walnut*
<b>Body covers</b>	O: Oak, walnut, aluminium	O: Oak, walnut, aluminium	O: Oak, walnut, aluminium	O: Oak, walnut, aluminium
<b>Barista lights</b>	○	○	○	○
<b>Auto cleaning group cycle</b>	✓	✓	✓	✓
<b>ECO mode</b>	✓	Only for PID versions	Only for PID versions	Only for PID versions
<b>Auto On/OFF</b>	✓	Only for PID versions	Only for PID versions	Only for PID versions
<b>Power cord (Country Kit)</b>	STD: BareW	STD: Type F (1Ph) or BareW (3Ph) O: Only for 1Ph (Type I 15A, 16A BareW)	STD: Type F O: Only for 1Ph (Type I 10A, Type G 13A)	STD: Type F O: Only for 1Ph (Type I 10A, Type G 13A)
<b>Single+Double portafilter</b>	1+3	1+2	1+2	1+1

**NOTE:** Please check your regional price list for available versions/options and part **INSTALLATION NOTE:** Please refer to the User Manual and the Technical Manual.



v2022/02EX3BroCenEN